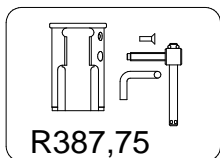
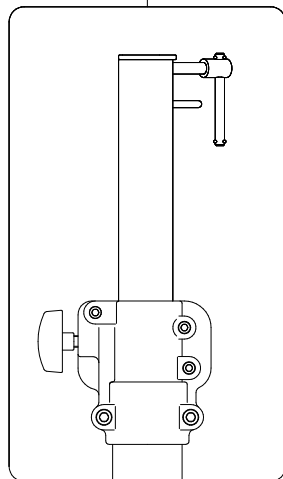




ART. 387XBU
For serial number
from XXXXXX

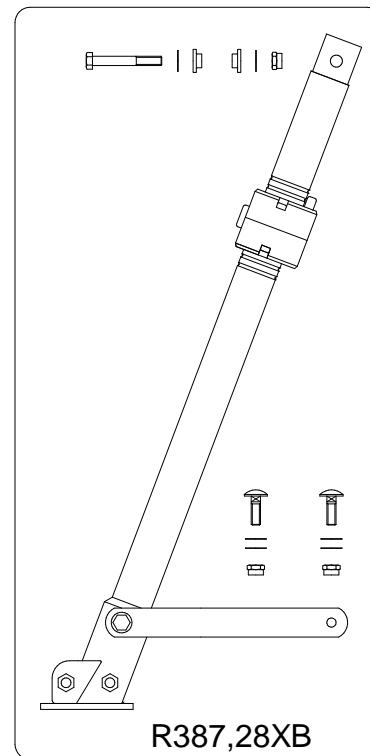


R387,75

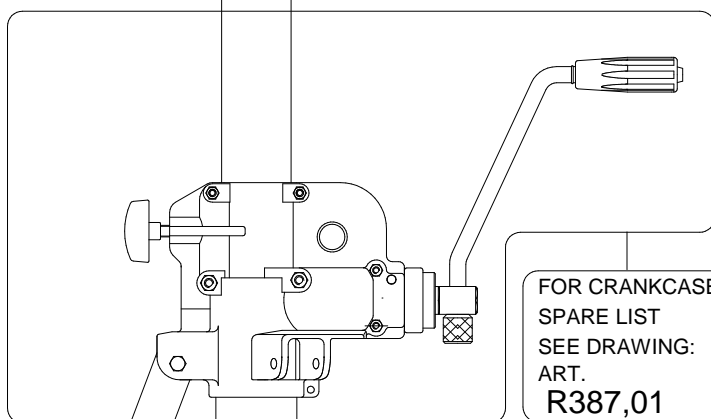


FOR 3rd SCT
SPARE LIST
SEE DRAWING:
ART.
R387,13B

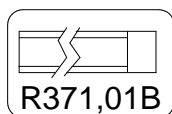
FOR GEARED COLUMN
ORDER CODE:
R387,19B



R387,28XB

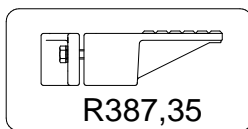


FOR CRANKCASE
SPARE LIST
SEE DRAWING:
ART.
R387,01

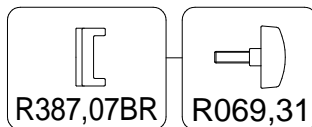


R371,01B

CABLE GRIP

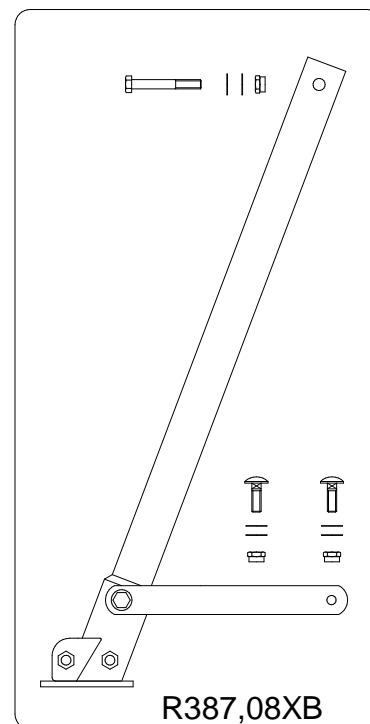


R387,35

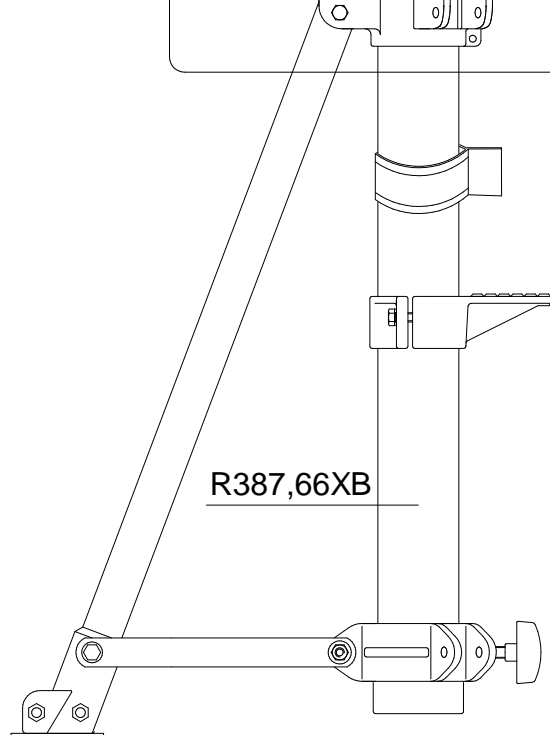


R387,07BR

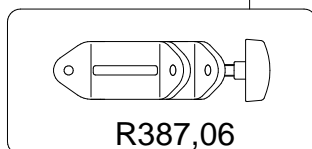
R069,31



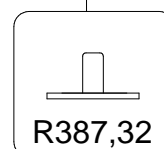
R387,08XB



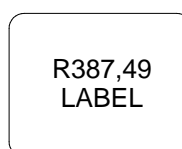
R387,66XB



R387,06



R387,32



R387,49
LABEL